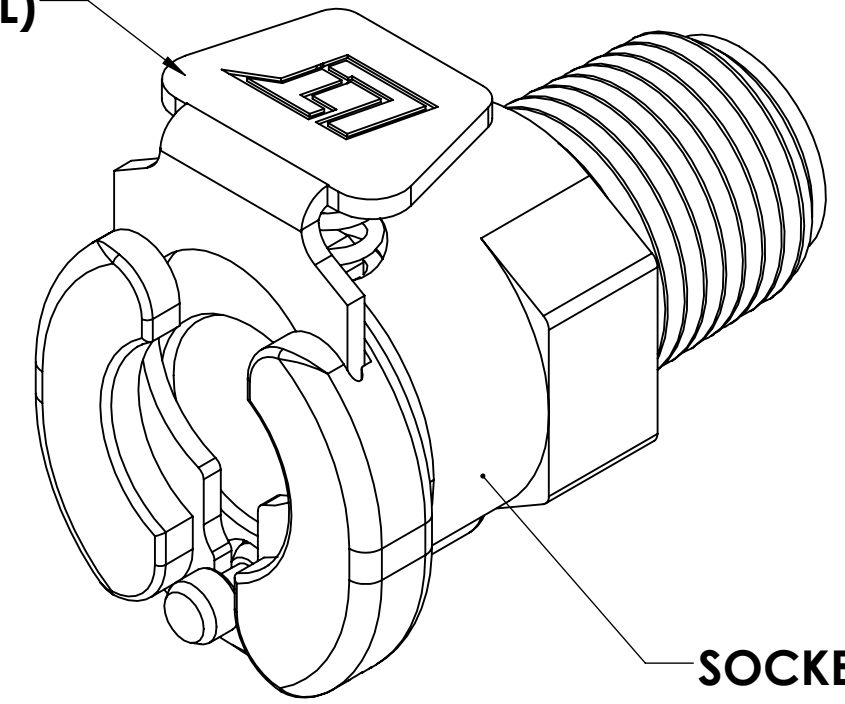
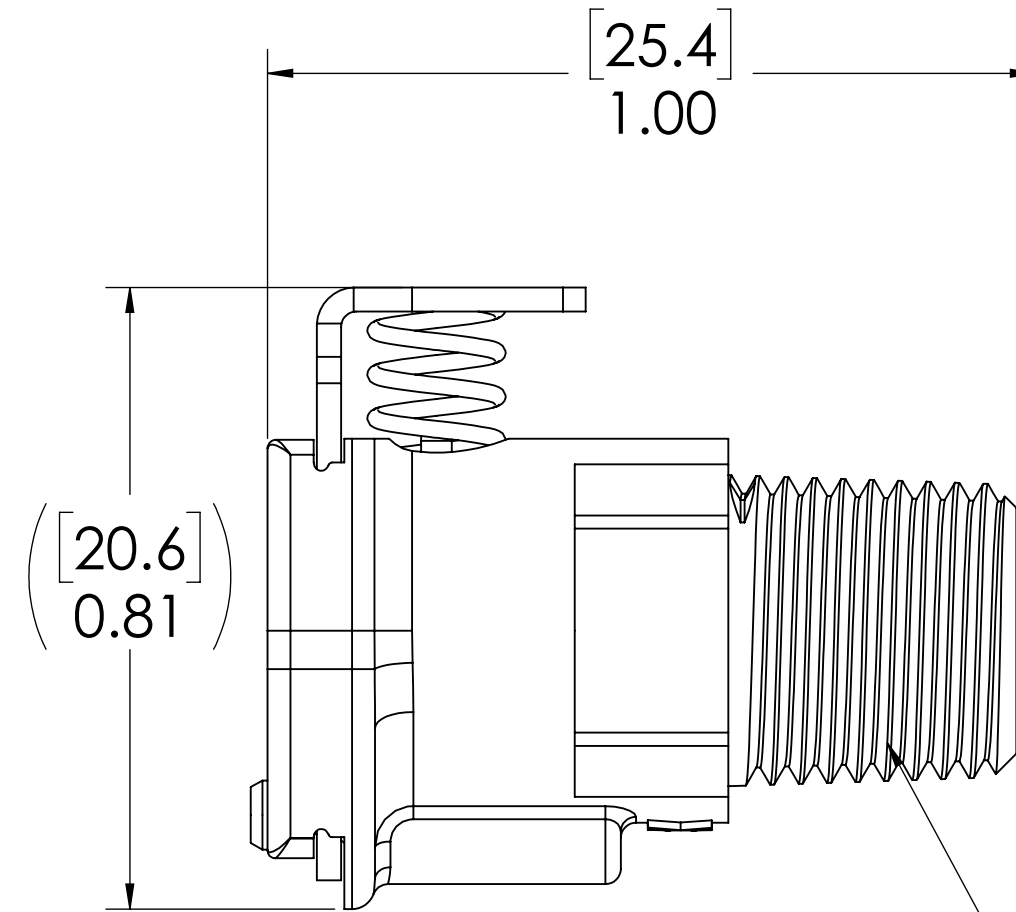
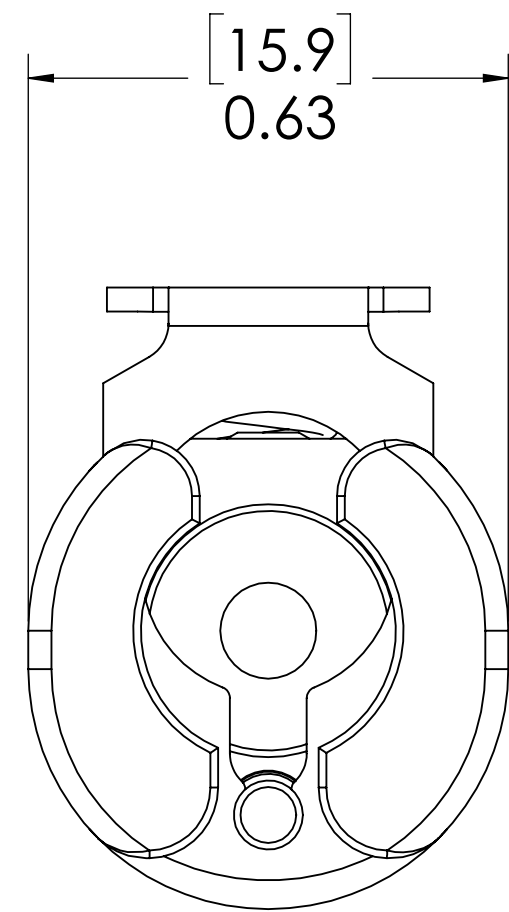


REVISIONS						
SHEET	ZONE	REV.	ECO	DESCRIPTION	DATE	APPROVED
1	ALL	NC	50242	PIN, PIN SPRING UPDATE	4/28/2017	HRC
1	ALL	A	50253	2017 FORMAT UPDATE	5/15/2018	HRC

**LATCH HARDWARE,
(STAINLESS STEEL)**



**SOCKET,
(ACETAL)**



1/8" NPT THREAD

NOTES:

- MATERIAL: ACETAL
- BODY COLOR: NATURAL WHITE.

FOR REFERENCE ONLY

<small>UNLESS OTHERWISE SPECIFIED: DIMENSIONS ARE IN INCHES TOLERANCES: FRACTIONAL ± 1/32 ANGULAR: MACH ± 0.5 BEND ± 2 ONE PLACE DECIMAL ± 0.1 TWO PLACE DECIMAL ± 0.01 THREE PLACE DECIMAL ± 0.005 TWO PLACE DUAL (mm) [±0.12]</small>	DRAWN	CKE	4/20/17	
	CHECKED	HRC	4/20/17	
	ENG APPR.	HRC	04-28-17	
	MFG APPR.	BDB	04-28-17	
<small>PROPRIETARY AND CONFIDENTIAL THE INFORMATION CONTAINED IN THIS DRAWING IS THE SOLE PROPERTY OF LINKTECH LLC. ANY REPRODUCTION OR DISCLOSURE IN PART OR AS A WHOLE WITHOUT THE WRITTEN PERMISSION OF LINKTECH LLC IS STRICTLY PROHIBITED.</small>	Q.A.	JJB	04-28-17	PART NO: 20AC-S1-02
<small>COMMENTS:</small>				DESCRIPTION: LinkTech 20AC Series Male Thread Female, Non-valved, 1/8" MNPT, Natural Acetal
SIZE DWG. NO.		REV		C 20AC200285 A
<small>SCALE: NTS</small>		<small>WEIGHT:</small>		<small>SHEET 1 OF 1</small>